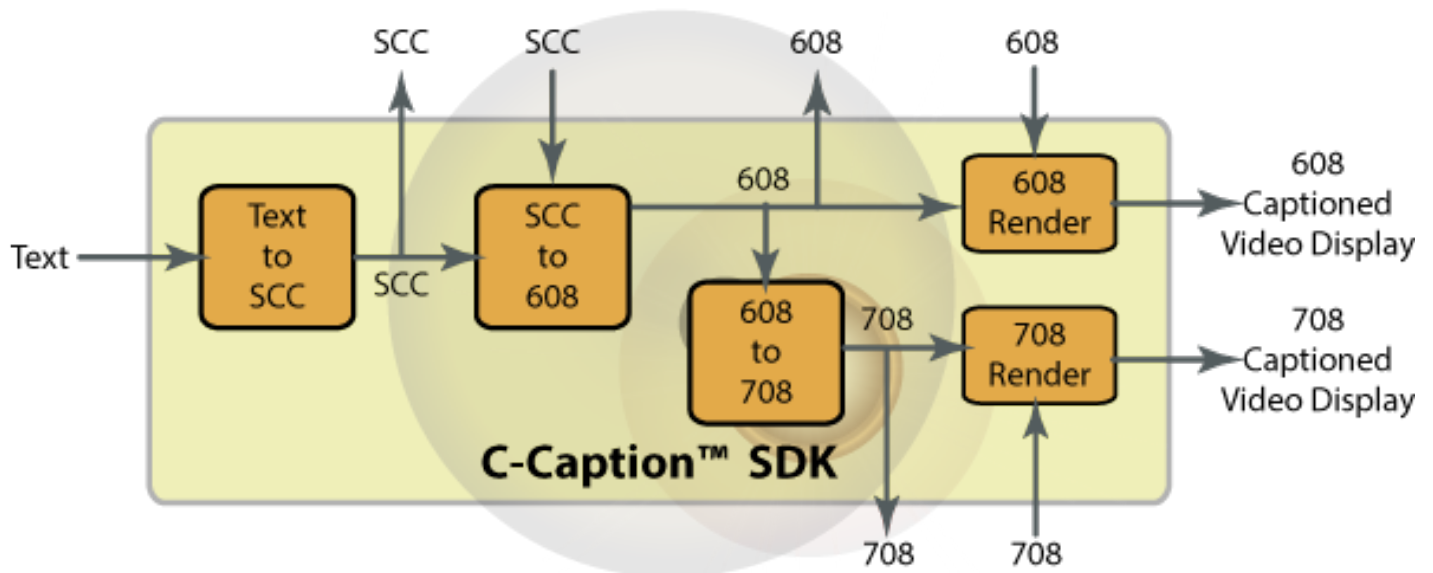


# C-Caption™ Software Development Kit

*Add closed captioning to your video application*



- Translate CEA-608 captioning to equivalent CEA-708 captioning
- Render CEA-708 & 608 closed captioning onto video frames
- Convert plain text to CEA-708 & 608 closed captioning packets

## C-Caption SDK

The C-Caption™ SDK is a simple to use C library, with associated headers and documentation, which enables a video decoder to render the embedded closed captioning as text onto the corresponding video frames.

### ***Optional Inputs:***

Plain text from speech recognition

SCC or other transcribed captioning format

Device Context (handle) that conforms with the target video frames to be overlaid with rendered captions

Callback function pointer to user defined text renderer engine

Closed Caption DTVCC user\_data as CEA-708 and CEA-608 commands and caption text

### ***Optional Outputs:***

Caption text characters properly synchronized and rendered onto the input Device Context for compositing onto the video frames

CEA-608 packets created from text or transcribed captions such as .SCC

DTVCC CEA-708 packets generated as equivalent to input CEA-608 packets

SCC transcribed captioning format converted from plain text input

Caption debugging displayed on screen and/or log file

### ***Possible Applications:***

Closed Caption Display Visualization on Associated Decoded Video

Caption format and specification translation

Open Captioning (compositing permanent 'Subtitles')

Captioning Quality Inspection

Closed Captioning Analyzer

Closed Captioning Debugging and Verification

### ***Specifications:***

Compliance: CEA-708-E and CEA-608-F

Extended Character Sets: Chinese, Danish, English, Finnish, French, German, Hebrew, Italian, Japanese, Portuguese, Spanish, Swedish, & Taiwanese

Supports Unicode text character set

OS Compatibility: MS Windows, Mac OS, and Linux

C Caption™ is optimized for minimal processor load and faster than real-time operation with multiple 608 and 708 captioning channels.

### ***What is included:***

Programming Manual

C Header Files

.DLL file

Sample caption-enabled application program (with source code)



PixelTools Corporation, Inc.  
+1 408 374 5327  
tools@pixeltools.com  
<http://www.pixeltools.com>